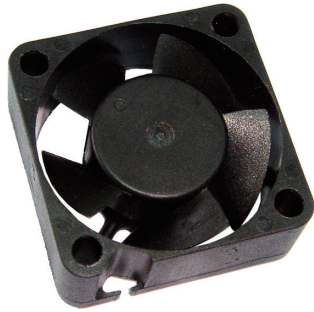
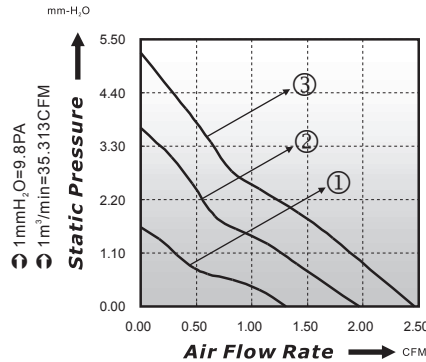


# 25x25x10mm

■ Type B

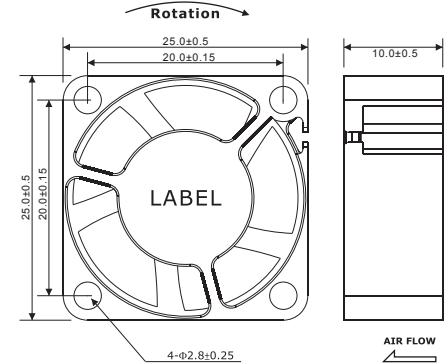


## ■ P-Q Curve (At Rated Voltage)



## ■ Dimensions Drawing

Unit: (mm)



Model No	Bearing (*)	Rated Voltage (VDC)	Rated Current (A)	Power Consumption (Watts)	Speed (rpm)	Air Flow (CFM)	Static Pressure (mmH <sub>2</sub> O)	Noise (dBA)	Curve
PLA02510S05L	○ ⊖	5	0.19	0.95	7000	1.31	1.64	20.8	1
PLA02510S05M	○ ⊖	5	0.20	1.00	10000	1.97	3.67	26.6	2
PLA02510S05H	○ ⊖	5	0.29	1.45	12000	2.46	5.23	30.6	3
PLA02510S12L	○ ⊖	12	0.05	0.60	7000	1.31	1.64	20.8	1
PLA02510S12M	○ ⊖	12	0.09	1.08	10000	1.97	3.67	26.6	2
PLA02510S12H	○ ⊖	12	0.12	1.44	12000	2.46	5.23	30.6	3

\* Bearing Type: ○ Sleeve    ▲ One Ball and One Sleeve    ● Two Ball    ⊖ Hydro-Dynamic