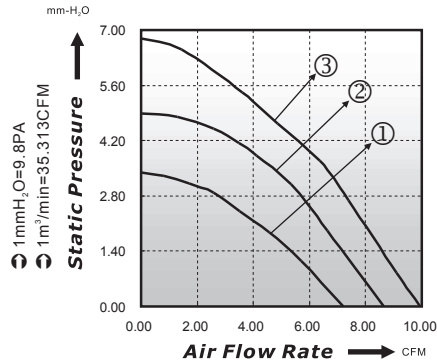


60x60x15mm

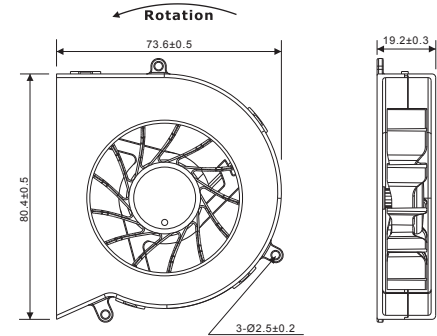


■ P-Q Curve (At Rated Voltage)



■ Dimensions Drawing

Unit: (mm)



Model No	Bearing (*)	Rated Voltage (VDC)	Rated Current (A)	Power Consumption (Watts)	Speed (rpm)	Air Flow (CFM)	Static Pressure (mmH ₂ O)	Noise (dBA)	Curve
PLB06015B05L	○●⊖	5	0.19	0.80	2000	7.196	3.390	22.5	1
PLB06015B05M	○●⊖	5	0.28	1.40	2400	8.635	4.882	28.7	2
PLB06015B05H	○●⊖	5	0.42	2.10	2800	9.938	6.790	33.5	3
PLB06015B12L	○●⊖	12	0.14	1.68	2000	7.196	3.390	22.5	1
PLB06015B12M	○●⊖	12	0.18	2.16	2400	8.635	4.882	28.7	2
PLB06015B12H	○●⊖	12	0.22	2.64	2800	9.938	6.790	33.5	3

* Bearing Type: ○ Sleeve ▲ One Ball and One Sleeve ● Two Ball ⊖ Hydro-Dynamic