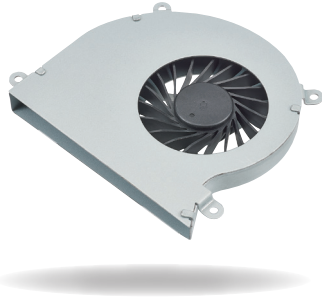
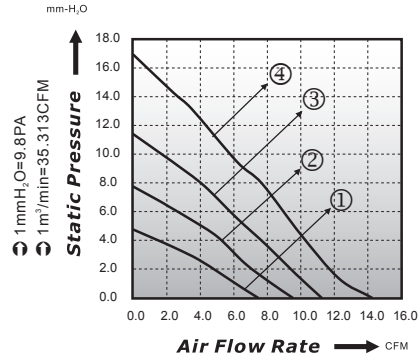


95x95x12mm

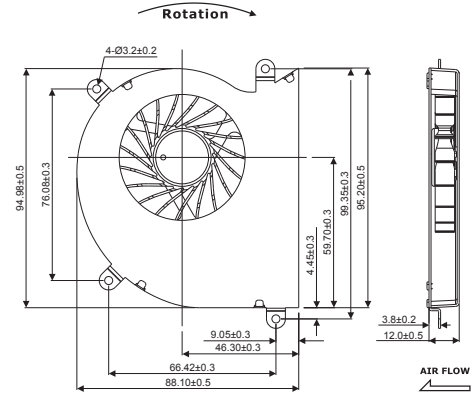


■ P-Q Curve (At Rated Voltage)



■ Dimensions Drawing

Unit: (mm)



Model No	Bearing (*)	Rated Voltage (VDC)	Rated Current (A)	Power Consumption (Watts)	Speed (rpm)	Air Flow (CFM)	Static Pressure (mmH ₂ O)	Noise (dBA)	Curve
PLB09512B12L	●	12	0.15	1.80	2000	7.43	4.74	23.7	1
PLB09512B12M	●	12	0.25	3.00	2500	9.50	7.73	29.2	2
PLB09512B12H	●	12	0.35	4.20	3000	11.23	11.39	35.3	3
PLB09512B12HH	●	12	0.45	5.40	3500	14.24	16.93	39.7	4

* Bearing Type: ○ Sleeve ▲ One Ball and One Sleeve ● Two Ball ⊙ Hydro-Dynamic